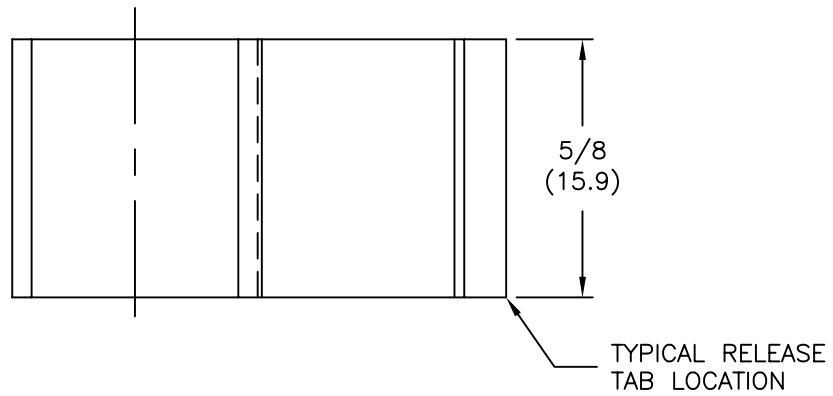
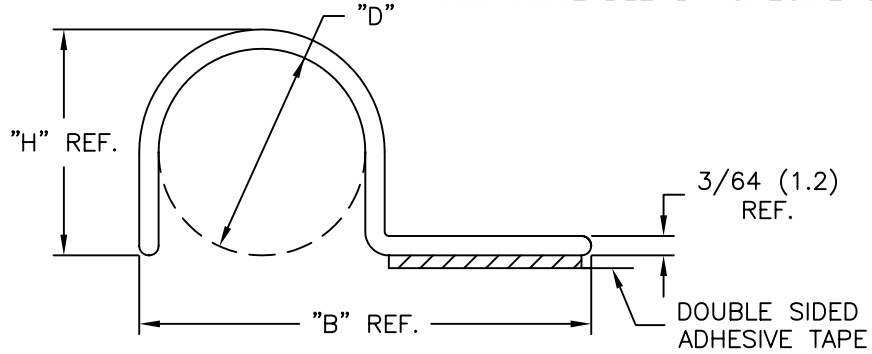


PART NO.	"D" BUNDLE DIA.	"B"	"H"
HUC-2-RT	1/8 (3.2)	23/32 (18.3)	11/64 (4.4)
HUC-4-RT	1/4 (6.4)	27/32 (21.4)	19/64 (7.5)
HUC-6-RT	3/8 (9.5)	31/32 (24.6)	27/64 (10.7)
*HUC-8-RT	1/2 (12.7)	1-3/32 (27.8)	35/64 (13.9)

*PART AVAILABLE BY SPECIAL ORDER ONLY



NOTES:

1. MAT'L: RIGID PVC (RMS-04)
2. COLOR: BLACK
3. TAPE: 1/32" THICK DOUBLE SIDED ADHESIVE (RMS-15)

E SEE CO 200035 FOR CHANGES SK 09.26.07			TITLE: HALF "U" CLIP				DWG IN IN(MM)				
D SEE ECN # 1135 SJ 03.07.06			FILE # HUC		DWN: S.M.		DT: 12/15/00		FINAL		
C COMPLETELY RE-DRAWN & CHANGED FILE # S.M.12.15.00			MAT'L: SEE NOTES		CHKD:		ENG:		PART #		
B CORRECTED TAPE THICKNESS TO 1/32" JK 2.18.00			RE: RICHCO, INC.		RICHCO INC.		ENG@RICHCO-INC.COM		SEE TABLE		
A ADDED NOTES, CORRECTED TAPE THICKNESS TO 1/16" JK 2.10.00			TOLERANCES UNLESS NOTED .XX=±.020 .XXX=±.015 FRAC=±1/32 ANG=±1°		ENG@RICHCO-INC.COM (773) 539-4060				PRINT TYPE CA		
REV DESCRIPTION ENGR DATE											